



ATLAS MARINE SYSTEMS



FREQUENCY CONVERTER

ShorPOWER® Ultra HF

20-45kVA

The ShorPOWER Ultra HF frequency converter utilizes state-of-the-art technology including the latest generation of power semiconductors and transformers controlled by an ultra-high speed digital system to create precisely regulated output power. This technology allows the converter to be very compact and lightweight while being electrically powerful and highly efficient.

The Ultra HF will automatically connect to any marina power source worldwide and provide clean, stable and reliable power for the yacht. This is especially important due to ever increasing regulations regarding the use of onboard diesel engine generators while docked at a marina. Noise and air pollution caused by these generators, coupled by increased operational and maintenance costs, make the use of the Ultra HF frequency converter a must.

Additionally, the Ultra HF produces a highly regulated output regardless of fluctuations in the dockside power or changes in load onboard. This regulation protects the onboard electrical system by eliminating voltage transients and harmonic distortions typical of dockside power.

The Ultra HF is designed to be the most reliable converter on the market by manufacturing the converter using only the highest quality components and by engineering the converter for actual marine use, such as operating continually at 100% load in high ambient temperatures.

The compact lightweight form factor allows the Ultra HF to be installed where height is restricted.

STANDARD FEATURES

- INPUT TO OUTPUT ISOLATION VIA INTERNAL TRANSFORMER
- LOW INPUT CURRENT DISTORTION
- ETHERNET INTERFACE (MODBUS TCP / IP)
- HIGH EFFICIENCY
- INPUT HIGH VOLTAGE TRANSIENT PROTECTION
- MULTI-LANGUAGE DISPLAY
- PRECISE OUTPUT VOLTAGE AND FREQUENCY REGULATION
- EXTERNAL SERVICE ACCESS PORT
- GENEROUS OVERLOAD CAPABILITY
- SOPHISTICATED DIAGNOSTIC AND PROTECTION SYSTEM
- ALARM INDICATION WHEN INPUT CURRENT EXCEEDS PROGRAMMED DOCK BREAKER RATING
- UNBALANCED LOADS ON BOARD ARE NOT REFLECTED ON THE INPUT

OPTIONS AVAILABLE

- OUTPUT LOAD DISCONNECT
- REMOTE TOUCHSCREEN OR CONTROL PANEL
- REMOTE ACCESS - WIRED ETHERNET CONNECTION
- TECPOWER® SWITCHBOARD DATA LINK INTERFACE
- SWITCHBOARD CONTROLLED SOFT TRANSFER
- RS485 INTERFACE (MODBUS)
- TOP EXHAUST
- SEAMLESS POWER TRANSFER BETWEEN SHORPOWER AND GENERATOR, AND BETWEEN GENERATORS
- PARALLELABLE FOR INCREASED CAPACITY OR REDUNDANCY



This product was manufactured in a plant whose quality management system is registered to ISO 9001:2015.

Atlas Marine Systems • 1801 S. Perimeter Rd • Ft Lauderdale, FL 33309
Sales: +1-954-735-6767 • Service: +1-214-343-7587 • Fax: +1-954-735-7676
info@AtlasMarineSystems.com • www.AtlasMarineSystems.com

INPUT

VOLTAGE	177 TO 528 VOLTS, 1Ø AND 3Ø, 2 OR 3 WIRE PLUS GROUND
FREQUENCY	50/60 Hz ±10%
INPUT CURRENT DISTORTION	≤ 5%
POWER FACTOR	≥ 0.99
PHASE ROTATION	ANY
INRUSH CURRENT	NO GREATER THAN 50% OF FULL LOAD CURRENT
PROTECTION	OVER/UNDER VOLTAGE, LOSS OF PHASE, OVER CURRENT, SHORT CIRCUIT, VOLTAGE TRANSIENT PROTECTION IAW IEEE C62.41.1 LOCATION CAT. B/C

ENVIRONMENTAL

ACOUSTICAL NOISE	<65 DBA AT 5 FEET (1.5M)
TEMPERATURE RANGE	-40°C TO +55°C
RELATIVE HUMIDITY	0 - 95%, NON-CONDENSING
INGRESS PROTECTION	IP23 (OPTIONAL IP55)
ENCLOSURE	NEMA 250, TYPE 3RX CORROSION RESISTANT

ENERGY FACTORS

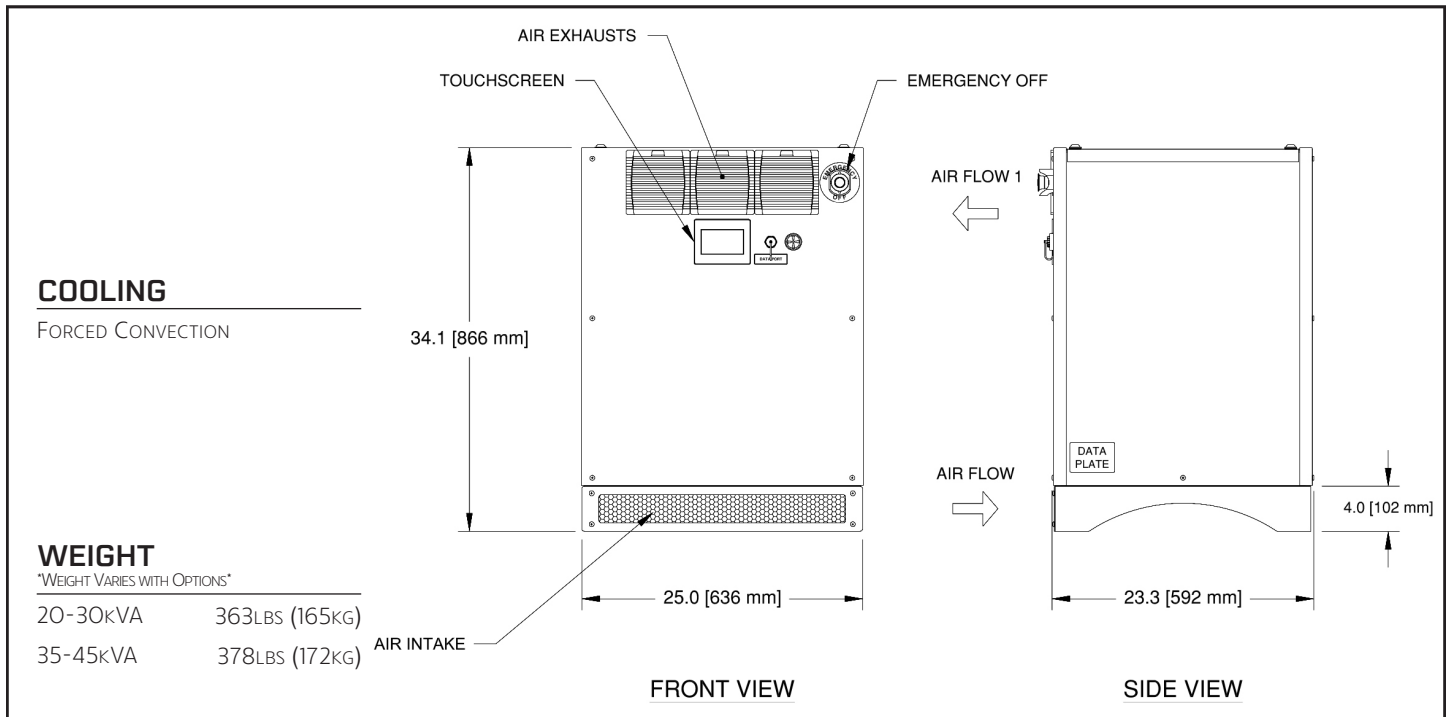
EFFICIENCY	92% TYPICAL AT FULL LOAD; 91% TYPICAL AT HALF LOAD; VARIES DEPENDING ON CONFIG.
------------	---------------------------------------------------------------------------------------

OUTPUT

POWER RATING	20, 25, 30, 35 OR 45 kVA (SPECIFY)
SYSTEM POWER RATINGS	40 TO 360 kVA (SPECIFY)
POWER FACTOR	UP TO 1.0
OVERLOAD	100% CONTINUOUS 110% FOR 60 MIN 125% FOR 10 MIN 150% FOR 2 MIN 200% FOR 20 SEC*
VOLTAGE (SPECIFY)	<ul style="list-style-type: none"> • Single-PHASE, 2-WIRE 220, 230, 240 VOLTS • Single-PHASE, 3-WIRE 110/220, 115/230, 120/240 VOLTS • THREE-PHASE, 3-WIRE 220, 230, 240, 380, 400, 415, 440, 460, 480 VOLTS • Three-PHASE, 4-WIRE 120/208, 127/220, 220/380, 230/400, 240/415, 265/460, 277/480 VOLTS
CREST FACTOR	1.414 ±3%
VOLTAGE REGULATION	±1.0% UNDER ALL CONDITIONS OF LINE, BALANCED LOADS AND TEMPERATURE
FREQUENCY (SPECIFY)	50 OR 60 HZ
FREQUENCY REGULATION	±0.01% UNDER ALL CONDITIONS OF LINE, LOAD AND TEMPERATURE
FREQUENCY TRANSIENTS	NONE
PHASE ANGLE REGULATION	±2° FOR BALANCED LOADS; ±4° FOR UNBALANCED LOADS
HARMONIC DISTORTION	3% MAXIMUM (LINEAR LOADS)
PROTECTION	ALL STANDARD ELECTRICAL AND ENVIRONMENTAL MONITORING FOR EQUIPMENT AND LOAD PROTECTION

NOTE
*OVERLOAD TIMES MAY VARY DEPENDING ON CONFIGURATION

FIGURE 1 – ShorePOWER Ultra HF 20-45kVA



COOLING

FORCED CONVECTION

WEIGHT

WEIGHT VARIES WITH OPTIONS

20-30kVA	363LBS (165KG)
35-45kVA	378LBS (172KG)

SPECIFICATIONS SUBJECT TO CHANGE WITHOUT NOTICE

REV H



This product was manufactured in a plant whose quality management system is registered to ISO 9001:2015.

Atlas Marine Systems • 1801 S. Perimeter Rd • Ft Lauderdale, FL 33309
Sales: +1-954-735-6767 • Service: +1-214-343-7587 • Fax: +1-954-735-7676
info@AtlasMarineSystems.com • www.AtlasMarineSystems.com