



ATLAS MARINE SYSTEMS



## GROUND POWER UNIT **HeliPOWER®** 28VDC

The HeliPOWER 28 unit provides up to 600 amps continuous current and 2,000 amps of engine starting current with a 28VDC output voltage rating. Although there are other 28VDC products available at these specified current levels, they are all of a 1940's transformer-rectifier design technology, unlike the state-of-the-art IGBT driven, high frequency, PWM technology used in Atlas' one-of-a-kind HeliPOWER 28.

In addition, other 28VDC units are not designed for the more extreme environmental demands that exist on marine luxury yachts. The HeliPOWER 28 salient design features uniquely offered "in combination" for yachting applications that are not available in other 28VDC GPUs are as follows:

### STANDARD FEATURES

- ULTRA LIGHTWEIGHT, LESS THAN HALF OF ALL OTHER 28VDC GPUS
- ≤5% INPUT CURRENT DISTORTION IAW SHIPBOARD SPECIFICATIONS
- CERTIFIED THROUGH CE MARK, UL AND CSA LISTINGS
- SELF-DIAGNOSTIC CAPABILITIES FOR MINIMIZING DOWNTIME
- MULTI-LANGUAGE DISPLAY
- ADVANCED INTEGRATED DISPLAY CONSOLE (AID™)
- 8000 EVENT LOG / DIAGNOSTICS
- ETHERNET INTERFACE (MODBUS TCP/IP)
- 15% LINE DROP COMPENSATION
- EXTERNAL SERVICE ACCESS PORT
- EMERGENCY POWER "OFF" SWITCH
- I/O VOLTAGE AND CURRENT MONITORING
- ELAPSED TIME METER ACCESS
- FRONT PANEL VOLTAGE ADJUST
- INPUT HIGH VOLTAGE TRANSIENT PROTECTION
- OUTPUT CURRENT LIMIT ADJUST FROM 150 TO FULL RATED CURRENT
- OUTPUT SAFETY DISCONNECT
- FULLY COMPLIANT TO AIRCRAFT INTERFACE STANDARDS SUCH AS, ISO 6858 AND MIL-STD-704 AT THE OUTPUT PLUGHEAD
- LONGEST OUTPUT 28VDC DISTRIBUTION DISTANCE - UP TO 100FT (APPROX. 30 METERS) TO MEET SHIPBOARD NEEDS

### OPTIONS AVAILABLE

- LOCKABLE FRONT DOOR
- 400HZ OUTPUT COMBINATION UNITS
- TOP CABLE STORAGE RACK
- RS485 INTERFACE (MODBUS)
- DC OUTPUT POWER CABLE WITH PLUG  
(60 FOOT RECOMMENDED FOR HELICOPTER STARTING;  
LENGTHS UP TO 100 FEET AVAILABLE FOR  
MAINTENANCE-ONLY USE)



This product was manufactured in a plant whose quality management system is registered to ISO 9001:2015.

Atlas Marine Systems • 1801 S. Perimeter Rd • Ft Lauderdale, FL 33309  
Sales: +1-954-735-6767 • Service: +1-214-343-7587 • Fax: +1-954-735-7676  
info@AtlasMarineSystems.com • www.AtlasMarineSystems.com

## INPUT

VOLTAGE AUTO RANGING	208 TO 480V, +10%, -15%, 3Ø, 3 OR 4 WIRE PLUS GROUND
FREQUENCY	50/60 Hz ±10%
INPUT CURRENT DISTORTION	≤ 5%, TYPICALLY 3% (AT MAX LOAD)
PHASE ROTATION	ANY
INRUSH CURRENT	NO GREATER THAN 100% OF FULL LOAD CURRENT
PROTECTION	OVER/UNDER VOLTAGE, LOSS OF PHASE, OVER CURRENT, SHORT CIRCUIT, VOLTAGE TRANSIENT PROTECTION IAW IEEE C62.41.1 LOCATION CAT. B/C

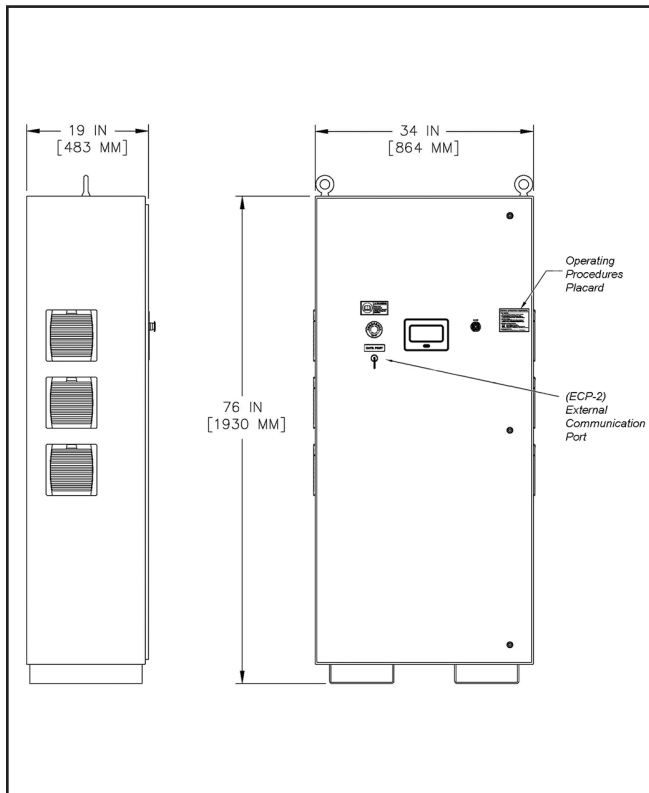
## ENVIRONMENTAL

ACOUSTICAL NOISE	<65 DBA AT 5 FEET (1.5M)
TEMPERATURE RANGE	-40°C TO +55°C
RELATIVE HUMIDITY	0 - 95%, NON-CONDENSING
INGRESS PROTECTION	TYPE 3SX, IP55
EMI / RFI	COMPATIBLE WITH AIRCRAFT SYSTEMS

## SPECIFICATIONS / STANDARDS

NFPA 70 (NEC500)	UFGS 26 35 43
ISO 6858	MIL-STD-1472
ISO 461-1/2	MIL-STD-704F
ISO 1540	EN 60079-10

**FIGURE 1 – HELIPOWER FLATPAK**



SPECIFICATIONS SUBJECT TO CHANGE WITHOUT NOTICE

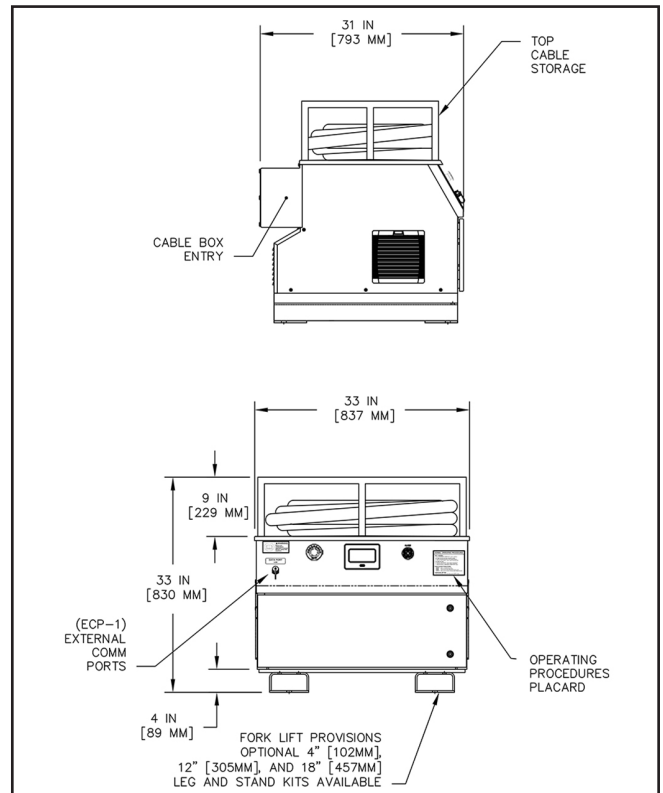
## OUTPUT

FULL RATED LOAD	600 AMPS CONTINUOUS
ENGINE START CAPACITY (10% DUTY CYCLE)	UP TO 2,000 AMPS FOR 30 SEC
OVERLOAD (10% DUTY CYCLE)	1,000 AMPS FOR 1 MIN
VOLTAGE	28VDC, 2 WIRE, GROUNDED NEGATIVE
VOLTAGE REGULATION	
· 100% CONTINUOUS RATED LOAD AND ±10% INPUT VOLTAGE	±0.5V
· NO LOAD TO RATED LOAD WITH NOMINAL INPUT VOLTAGE	±0.5V
VOLTAGE ADJUST	28VDC ±10%
LINE DROP COMPENSATION	0 TO 15%
CURRENT LIMIT ADJUST	150A TO FULL RATED CURRENT
PROTECTION	ALL STANDARD ELECTRICAL AND ENVIRONMENTAL MONITORING FOR EQUIPMENT AND LOAD PROTECTION

## MECHANICAL SPECIFICATIONS

SIZE	VARIES DEPENDING ON CONFIGURATION
WEIGHT	VARIES DEPENDING ON CONFIGURATION
ENCLOSURE	NEMA 250 - TYPE 3SX
COOLING	FORCED CONVECTION

**FIGURE 2 – HELIPOWER FIXED**



REV H



This product was manufactured in a plant whose quality management system is registered to ISO 9001:2015.

Atlas Marine Systems • 1801 S. Perimeter Rd • Ft Lauderdale, FL 33309  
Sales: +1-954-735-6767 • Service: +1-214-343-7587 • Fax: +1-954-735-7676  
info@AtlasMarineSystems.com • www.AtlasMarineSystems.com